

SB Manifolds for Liquid and Gas Service

acc. to Shell MESG Specifications

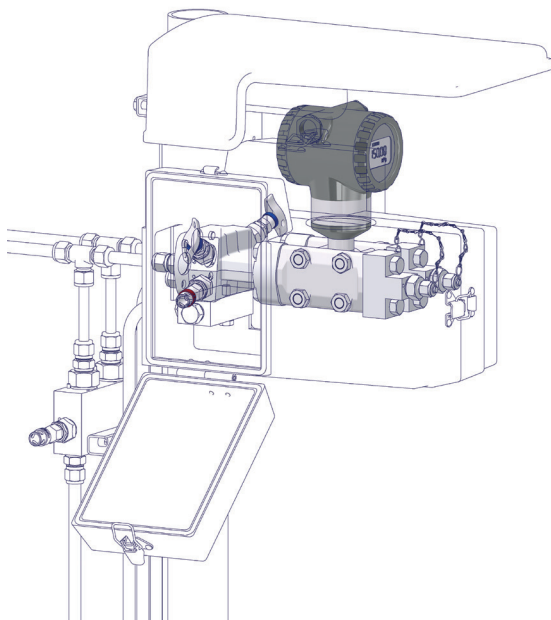
The SB Manifold is part of the Modular Mounting System, which offers significant advantages by providing the simplest and most effective way to install Transmitters and Gauges for General Pressure and Differential Pressure Measurements.

SB Manifolds are designed to be compatible with Shell MESG Specifications for Process Instrumentation.

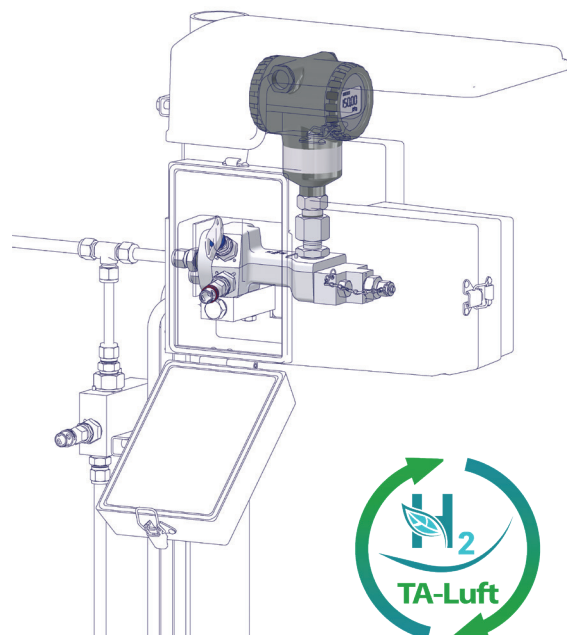
Smart feature is that you can mount the SB Manifold directly to a Standard Mounting Plate. There is no need for additional Mounting Accessories, reducing the on-site pipe work and resulting in fewer potential leak points.

Fields of Application

For Differential Pressure Transmitters



For Pressure Transmitters



YOUR BENEFITS AT A GLANCE:

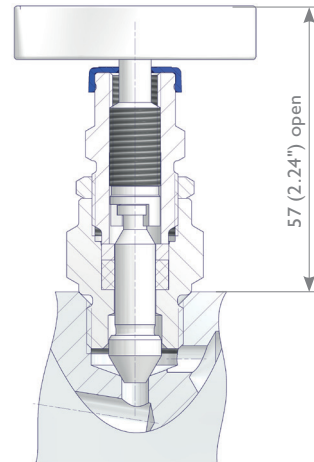
- 1 WIDE SCOPE OF APPLICATION**
Wide range of SB Manifold Options and Accessories to suit your application.
- 2 REDUCED INSTALLATION COST**
You can mount the SB Manifold directly to a Standard Mounting Plate. There is no need for additional Mounting Accessories.
- 3 EASY INSTALLATION PROCESS**
The compact design enables you an easy and quick installation of a Transmitter or Gauge.
- 4 COMFORTABLE EASY TURN**
We reduced the operating torque and equipped the SB Manifolds with ergonomic handles.
- 5 MINIMIZED LEAKAGE**
You can be assured of fewer potential leak points due to the compact design.
- 6 MEETS SAFETY STANDARDS**
We perform a shell test and a seat leakage test at 1.5 times the max. allowable (Working) Pressure acc. to EN 12266-1/MSS-SP61.
- 7 OXYGEN SERVICE**
Profit from the option with Reinforced PTFE Packing cleaned & lubricated for Oxygen Service.
- 8 HYDROGEN SERVICE AND FUGITIVE EMISSION**
SB Manifolds work best in hydrogen environments and are approved acc. to ISO 15848-1.

Standard Valve Head Unit - Features

Screwed Bonnet – Needle Seal: Packing

Features

- Integral Valve Seat – Metal to metal seated
- Non-rotating Needle
- External Stem Thread – Packing below stem threads. Stem threads are protected from process media (non-wetted).
- Stem with Cold Rolled Threads
- Blow-out Proof Needle
- Fully Self-draining
- Back Seat – Metal to metal secondary needle seal
- Lock Pin – Eliminates unauthorized removal of the bonnet
- Color Coded Dust Cap for operating thread protection
- Standard Packing in PTFE and Graphite available
- All Non-wetted Parts in 316 Stainless Steel
- Meets the Fugitive Emission Tightness Class B acc. to ISO 15848-1

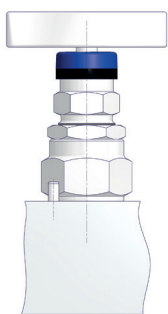


FOR EVERY CHALLENGE THE RIGHT VALVE HEAD UNIT.

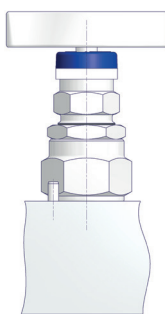
TRY IT OUT!

Color Coded Options for different Application Areas

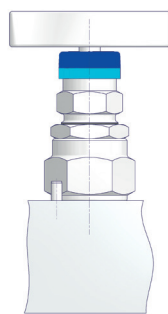
Graphite Packing



Oxygen Service

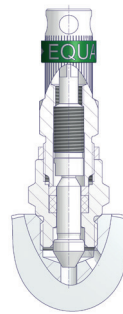


Hydrogen Service

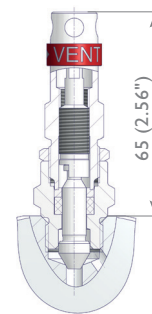


Anti-Tamper Valve Head Units for Equalize and Vent Valves

Equalize Valve



Vent Valve



Anti-Tamper Key

To prevent unauthorized operation of the valve head unit.



Pressure-Temperature Rating acc. to Shell MESC

Max. allowable (Working) Pressure (PS):

- DIN 19213 400 bar (5,801 psi) @ 38°C (100.4°F)
- IEC 61518 413 bar (6,000 psi) @ 38°C (100.4°F)

Max. allowable Temperature (TS):

- 200°C (392°F) acc. to Shell MESC Specification SPE 60.98.56/201.

Diverse Connection Options

Instrument – Flange Connection acc. to:

- DIN 19213 part 2 rev. 1980
- DN EN 61518 Type A
- Rosemount 2051/3051 Coplanar™ Pressure Transmitter (not specified in Shell MESC)

Process:

- G 1/4 Female, 1/4 NPT or 1/2 NPT Female

Vent:

- G 1/4 Female or 1/4 NPT Female